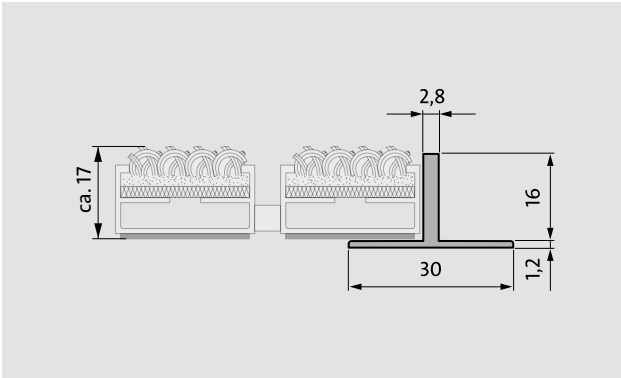
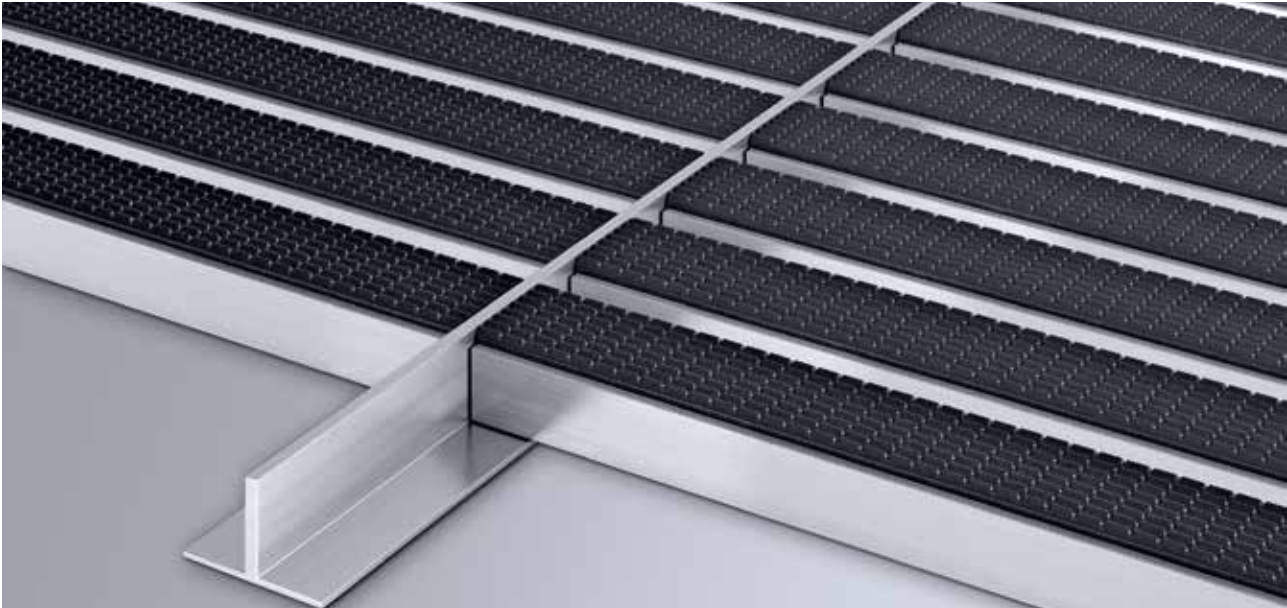


Model T17



Description

Aluminium profile for creating visual separation of adjacent entrance mats. Available for mat heights of 17 and 22 mm.



Outside (Zone 1)



Inside and outside (covered, Zone 2)



Model T17

Description	Aluminium profile for creating visual separation of adjacent entrance mats. Available for mat heights of 17 and 22 mm.
Approx. material thickness (mm)	1,2
Height (mm)	17
Model	T17

Subject to technical modifications