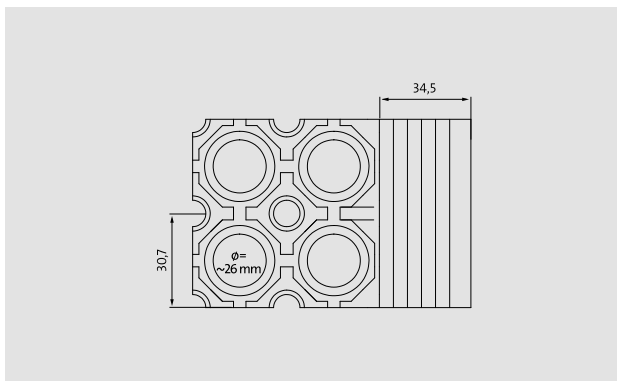


## Model Limbus 105



### Description

Mat with good cleaning effect and ideal water drainage system combined with low construction height. Easy to clean and material has a high level of temperature resistance (-30 to +50 °C)



Outside  
(Zone 1)



Outside  
(Zone 1)



Street dust,  
hair, sand,  
ash, textile  
fibres, small  
leaves and  
twigs, loose  
chippings,  
coarse sand,  
small gravel  
particles

### Colours



Rubber ho-  
neycomb mat:  
black

### Model Limbus 105

<b>Approx. height (mm)</b>	10.5
<b>Weight (kg/m<sup>2</sup>)</b>	06,3
<b>Tread surface</b>	Octagonal honeycomb pattern with leading edge at side. Dimensional tolerance +/- 1.5%
<b>Material</b>	High-quality solid rubber, weather-proof and abrasion-proof
<b>Water drainage</b>	Ribs on the underside combined with open honeycomb bases ensure good water drainage even where the construction height is low
<b>Custom mats</b>	Can be cut to rectangular shapes (only possible without leading edge)

Subject to technical modifications