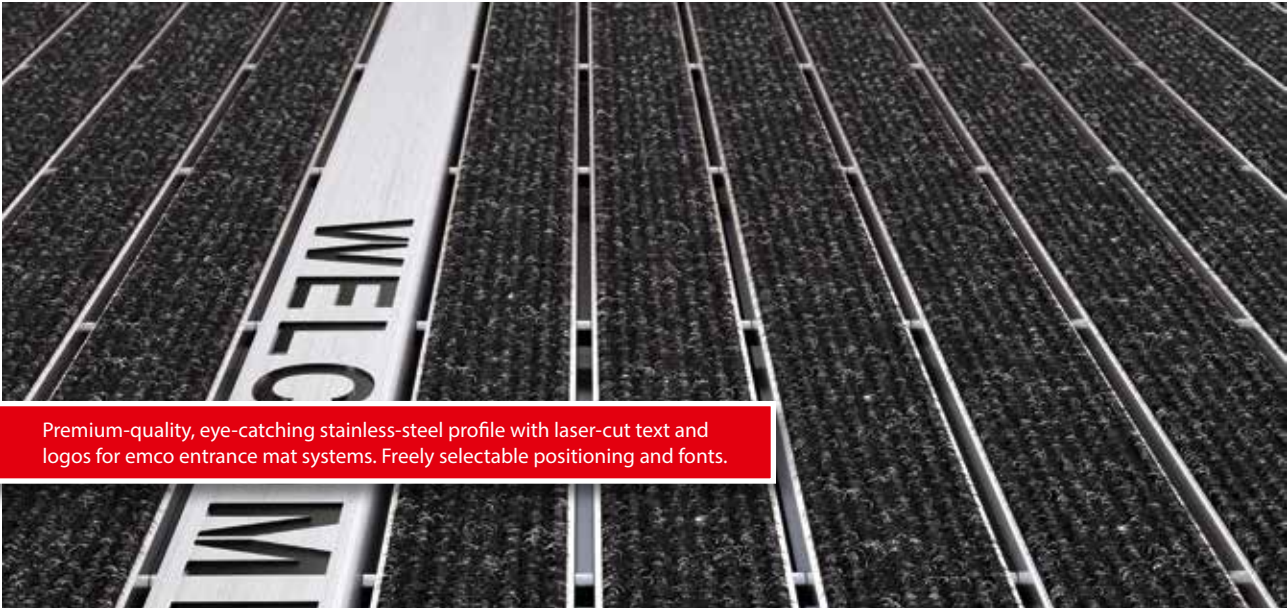
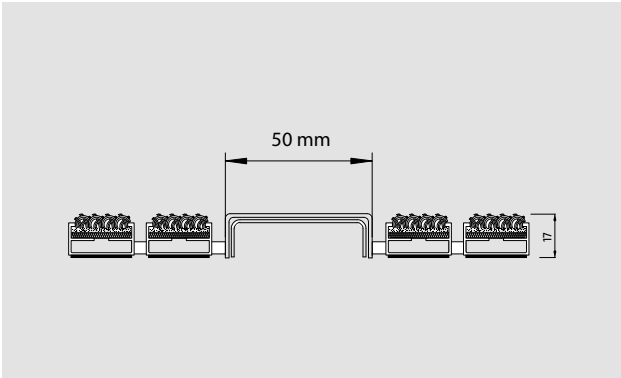


Model LINEO 17



Premium-quality, eye-catching stainless-steel profile with laser-cut text and logos for emco entrance mat systems. Freely selectable positioning and fonts.



Description

Upgrade your entrance with lettering in a stainless steel profile in your entrance mat system. The text is not simply printed onto the mat; rather, it is laser-cut into a high-quality stainless steel profile, which is permanently integrated in the entrance mat system.



Inside and outside (covered, Zone 2)



Model LINEO 17

Description	Upgrade your entrance with lettering in a stainless steel profile in your entrance mat system. The text is not simply printed onto the mat; rather, it is laser-cut into a high-quality stainless steel profile, which is permanently integrated in the entrance mat system.
Technical details	Material: Chrome-nickel steel (V2A). Suitable for emco Diplomat 517/522 and emco Senator 522 W. Profile width 50 mm. Different fonts and several widths available. An additional 1 mm thin sheet is inserted beneath the stainless steel profile and riveted to the areas of it which cannot be seen; this prevents dirt and debris from being pressed down into the letters.
Approx. material thickness (mm)	1,5
Height (mm)	17
Model	LINEO 17

Subject to technical modifications