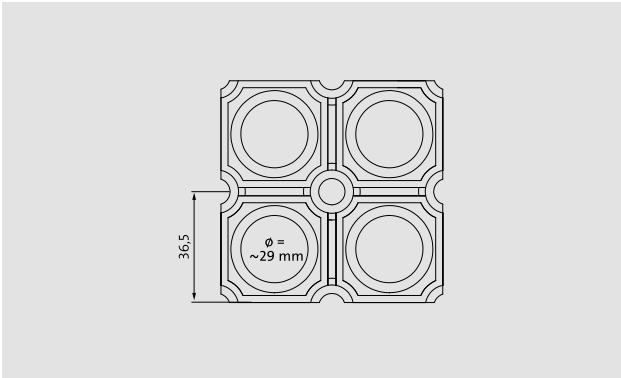


# Model CUBUS 220



**1** **2** **3** Outside (Zone 1)

Ideal for entrances and steps in outdoor areas, ski lifts, industrial buildings, exhibition halls and sports halls



### Description

Robust, general purpose mat with excellent cleaning effect (for protection against coarse dirt). Because it is easy to clean and offers a straightforward water drainage system as well as a high level of temperature resistance (-30 to +50 °C), it is also ideal for outdoor areas with snow and high levels of moisture.



Outside (Zone 1)



Outside (Zone 1)



Street dust, hair, sand, ash, textile fibres, small leaves and twigs, loose chippings, coarse sand, small gravel particles



### Colours



Rubber honeycomb mat: black

## emco CUBUS without double ring round brushes

### Model CUBUS 220

<b>Approx. height (mm)</b>	22	<b>Accessories</b>
<b>Weight (kg/m<sup>2</sup>)</b>	10,2	emco installation frame 500: 500-25 AL Aluminium
<b>Tread surface</b>	Honeycomb pattern. Dimensional tolerance +/- 1.5%	emco installation frame 500: 500-25 CN Chrome-nickel steel (V2A)
<b>Material</b>	High-quality solid rubber, weather-proof, abrasion-proof	emco installation frame 500: 500-25 MS Natural brass
<b>Water drainage</b>	Dimples on the underside combined with open honeycomb bases ensure excellent drainage	emco installation frame 500: 500/N 600x400 Aluminium
<b>Custom mats</b>	Bespoke cuts enable practically any direction to be accommodated. (Mat sizes up to 2 m <sup>2</sup> are manufactured with the parts bolted together; larger mat systems are supplied in several parts - with solid rubber connecting elements)	emco installation frame 500: 500/N 800x500 Aluminium
		emco installation frame 500: 500/N 900x600 Aluminium
		emco installation frame 500: 500/N 1000x600 Aluminium
		emco installation frame 500: 500/N 1000x800 Aluminium
		emco installation frame 500: 500/N 1000x1000 Aluminium
		emco installation frame 500: 500/N 1200x800 Aluminium

Subject to technical modifications