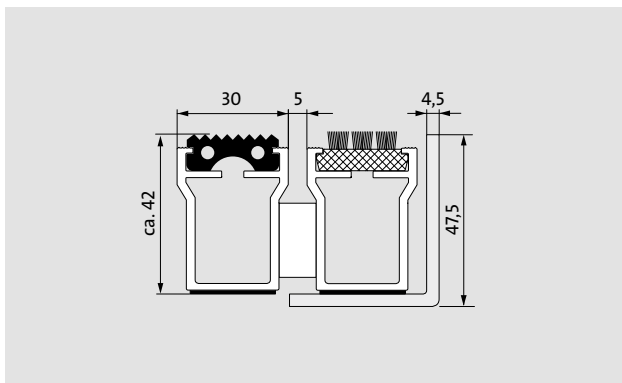


# Model 542 SGCB



The toughest of all the robust weather-proof solutions available. For picking up significant amounts of coarse soiling in heavily frequented buildings.



### Description

Roll-up, extremely hard-wearing entrance mat for heavy loads, for supported and self-supporting laying. Can be rolled over and also driven over by pallet trucks and goods vehicles. The special profile shape and height enable more dirt to be collected between the profiles. Mats produced to fit width and walking depth specifications perfectly, without the need for adjustment profiles. Any geometric shape is available, cut through the bristle bundles if necessary.



Outside (Zone 1)



Street dust, hair, sand, ash, textile fibres, small leaves and twigs, loose chippings, coarse sand, small gravel particles

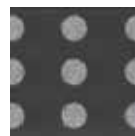


Street dust, hair, sand, ash, textile fibres, small leaves and twigs, etc.



Extremely durable

### Colours



Bristle bundles in grey



Bristle bundles in black



black

### Model 542 SGCB

<b>Approx. height (mm)</b>	42
<b>Roll-over and drive-over capability:</b>	Wheelchairs Prams hand trolleys pallet trucks Cars HGVs (up to 7.5 t.)
<b>Standard profile clearance approx. (mm)</b>	5 mm, rubber spacers
<b>Connection</b>	Plastic-coated steel cable
<b>Max. width/profile length for individual section (mm):</b>	2800
<b>Depth/walking depth for individual section (mm):</b>	1000
<b>Weight (kg/m<sup>2</sup>)</b>	26,4
<b>Mat divisions as per factory standards or customer specifications</b>	As of a profile length of 2800 mm or a maximum mat weight of 45 kg
<b>Support chassis</b>	Thick-walled, rigid aluminium with impact sound insulation underlay
<b>Tread surface</b>	Recessed, robust, weather-proof, profiled rubber inserts, combined with cassette sections, equipped with brush bundles arranged parallel to one another. Actual mat height for CB insert: + 1 to 2 mm.

# emco PLAZA With rubber insert and cassette brush

## Model 542 SGCB

### Service and services

Construction site advice

Measured using laser measuring device on site.

Fitting and installation service

The product can be disposed of or recycled in an environmentally friendly way.

### Accessories

emco installation frame 500: 500-46 AL Aluminium

emco installation frame 500: 500-46 CN Chrome-nickel steel (V2A)

emco cover strip: C42 Chrome-nickel steel (V2A)

emco dirt collection well: 5000 AL Aluminium

emco dirt collection well: 5042 AL Aluminium

emco dirt collection well: 5000 CN Chrome-nickel steel (V2A)

emco dirt collection well: 5042 CN Chrome-nickel steel (V2A)

emco special frame with substructure: A Version A: with installation frame, rectangular tube profiles, grid support and height adjustment.

emco special frame with substructure: B Version B: with installation frame, grid support and rectangular tube profiles

emco special frame with substructure: C Type C: with installation frame and rectangular tube profiles

Rubber underlay 1 mm: GU 1

Rubber underlay 3 mm: GU 3

Rubber underlay 5 mm: GU 5

Mat joining brackets: MV Supplied as standard with mats in several parts

Subject to technical modifications

emco Bautechnik GmbH · Breslauer Straße 34 - 38 · D-49808 Lingen (Ems) ·  
Phone: +49 (0) 591/9140-500 · Fax: +49 (0) 591/9140-852 · Email: bau@emco.de  
· www.emco-bau.com

