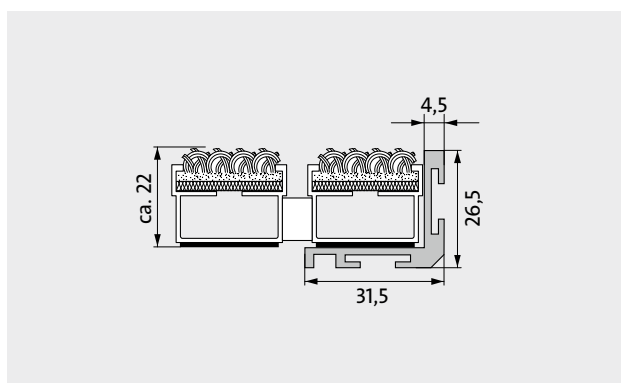


emco installation frame 500 / N

## Model 500/N 600x400



### Description

Frame ready assembled model 500/N aluminium, without wall anchor



Indoor and outdoor (covered, Zone 1+2)

## emco installation frame 500 / N

---

### Model 500/N 600x400

|                    |  |                                  |                  |
|--------------------|--|----------------------------------|------------------|
| <b>Description</b> | Frame ready assembled model 500/N aluminium, without wall anchor | <b>Normmatte H x B x T in mm</b> | 26,5 x 600 x 400 |
|                    |  | <b>Model</b>                     | 500/N 600x400    |

Subject to technical modifications

emco Bautechnik GmbH · Breslauer Straße 34 - 38 · D-49808 Lingen (Ems)  
· Germany · Phone: +49 (0) 591/9140-500 · Fax: +49 (0) 591/9140-852 · Email:  
bau@emco.de · www.emco-bau.com

