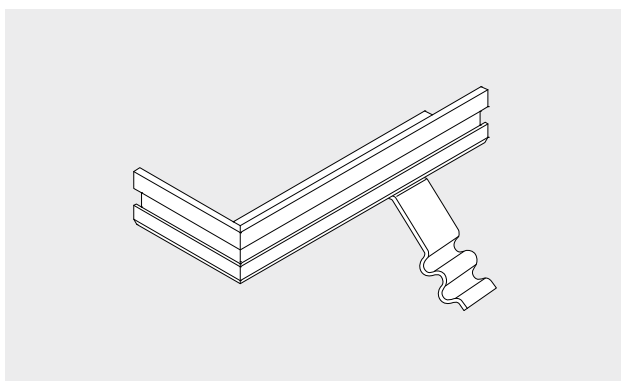


## Model 500/N 1200x800



### Description

Frame dismantled model 500/N aluminium, frame corners screwed down, wall anchor enclosed



Indoor and outdoor (covered, Zone 1+2)

## emco installation frame 500 / N

---

### Model 500/N 1200x800

<b>Description</b>	Frame dismantled model 500/N aluminium, frame corners screwed down, wall anchor enclosed	<b>Normmatte H x B x T in mm</b>	26,5 x 1200 x 800
		<b>Model</b>	500/N 1200x800

Subject to technical modifications

emco Bautechnik GmbH · Breslauer Straße 34 - 38 · D-49808 Lingen (Ems)  
· Germany · Phone: +49 (0) 591/9140-500 · Fax: +49 (0) 591/9140-852 · Email:  
bau@emco.de · www.emco-bau.com

