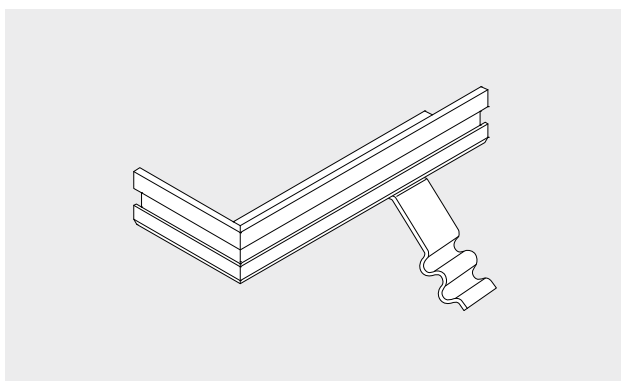


Model 500/N 1000x600



Description

Frame dismantled model 500/N aluminium, frame corners screwed down, wall anchor enclosed



Indoor and outdoor (covered, Zone 1+2)

emco installation frame 500 / N

Model 500/N 1000x600

Description	Frame dismantled model 500/N aluminium, frame corners screwed down, wall anchor enclosed
--------------------	--

Normmatte H x B x T in mm	26,5 x 1000 x 600
Model	500/N 1000x600

Subject to technical modifications

emco Bautechnik GmbH · Breslauer Straße 34 - 38 · D-49808 Lingen (Ems)
· Germany · Phone: +49 (0) 591/9140-500 · Fax: +49 (0) 591/9140-852 · Email:
bau@emco.de · www.emco-bau.com

