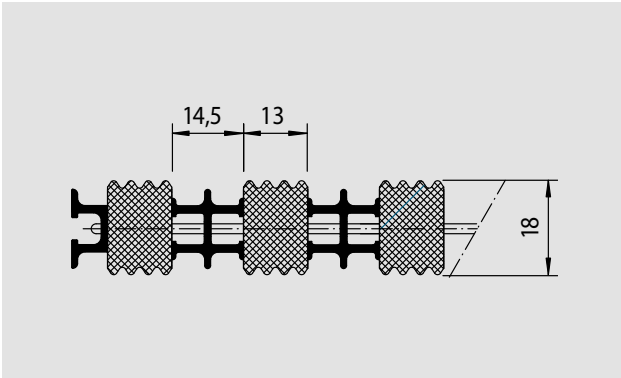


# Model 18 G



**Description**

An all-in-one, extremely hard-wearing and reversible entrance mat for laying on top of flooring. Customisable widths and walking depths available. Available in any geometric shape.



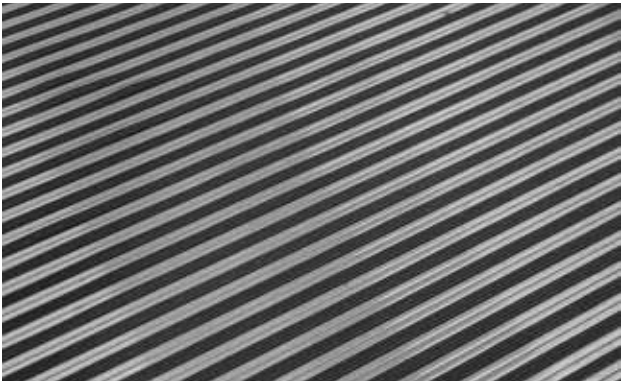
Outside (Zone 1)



Street dust, hair, sand, ash, textile fibres, small leaves and twigs, loose chippings, coarse sand, small gravel particles



Extremely durable



**Colours**



black



# Model 18 G

<b>Approx. height (mm)</b>	18
<b>Roll-over and drive-over capability:</b>	Wheelchairs Prams Light shopping trolleys hand trolleys Cars pallet trucks
<b>Standard profile clearance approx. (mm)</b>	0 mm, closed system
<b>Connection</b>	High-strength fibres
<b>Mat divisions as per factory standards or customer specifications</b>	from a profile length of 2000 mm, a mat walking depth of 1200 mm or a maximum mat weight of 45 kg
<b>Support chassis</b>	High-quality solid rubber, weather-proof and abrasion-proof
<b>Tread surface</b>	Weather-proof solid rubber strips combined with aluminium scraping profiles. Scraping profiles also available in brass or anodised finishes.

Subject to technical modifications