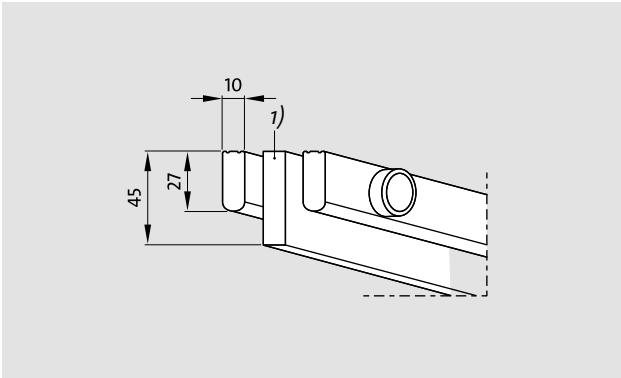


Model 775



Description

Rigid floor grating. Safe, stable and sound workmanship. Its high specific weight prevents the floor grating from floating in water. Special shapes that are circular or with angles available.

Colours



White - similar to RAL 9010

Model 775

Material	<p>High quality, extremely hard-wearing plastic, with UV absorber.</p> <p>Entirely corrosion-free and resistant to chlorine, sea water and spa water.</p> <p>No need for any metal parts; surface enclosed on all sides to provide maximum hygiene.</p>
Support chassis	<p>Full profile (27 x 10 mm)</p> <p>At 250 mm intervals, with integrated GFK support profiles (full profile, 45 x 14 mm).</p>
Finish	<p>Flat upper profile surface with safety profile seal (SPS).</p>
Profile spacing:	<p>< 8 mm in accordance with DIN EN 13451-1 and DIN EN 16582-1 (to prevent areas where fingers could become trapped)</p>
Height (mm)	<p>45</p>
Connection	<p>Fibre-glass reinforced polyester pipes as connection elements</p>
Slip resistance	<p>Non-slip in accordance with DIN 51097, classification C - tested by the „Institut der Säurefließner-Vereinigung“ (Säurefließner consortium)</p>
Variable grating width (mm)	<p><1000</p>
Comment	<p>Self-supporting (GFK profile)</p>
Special shapes	<p>Yes</p>
Water drainage	<p>Yes</p>
Usage area	<p>Public shower areas</p> <p>Barrier-free shower areas</p> <p>Footbaths</p>
Dimensions	<p>Produced to fit width and depth perfectly without the need for alignment profiles</p>
Properties	<p>Aesthetically pleasing</p> <p>Good water drainage</p> <p>Corrosion-free</p>

Model 775

Service and services
Dimensioning
Installation service
Repairs

Subject to technical modifications

emco Bautechnik GmbH · Breslauer Straße 34 - 38 · D-49808 Lingen (Ems) ·
Phone: +49 (0) 591/9140-500 · Fax: +49 (0) 591/9140-852 · Email: bau@emco.de
· www.emco-bau.com

