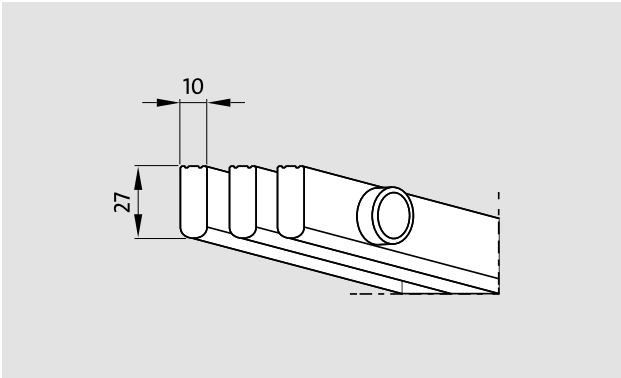


# Model 771



**Description**

Rigid floor grating. Safe, stable and sound workmanship. Its high specific weight prevents the floor grating from floating in water. Special shapes that are circular or with angles available.

**Colours**



White - similar to RAL 9010



Grey - similar to RAL 7001



Beige - similar to RAL 1001



Yellow - similar to RAL 1018

# Model 771

|                         |  |
|-------------------------|--|
| <b>Material</b>         | High quality, extremely hard-wearing plastic, with UV absorber.<br>Entirely corrosion-free and resistant to chlorine, sea water and spa water.<br>No need for any metal parts; surface enclosed on all sides to provide maximum hygiene. |
| <b>Support chassis</b>  | Full profile<br>(27 x 10 mm)   |
| <b>Finish</b>           | Flat upper profile surface with safety profile seal (SPS).   |
| <b>Profile spacing:</b> | < 8 mm in accordance with DIN EN 13451-1 and DIN EN 16582-1 (to prevent areas where fingers could become trapped)  |
| <b>Height (mm)</b>      | 27   |
| <b>Connection</b>       | Fibre-glass reinforced polyester pipes as connection elements  |
| <b>Comment</b>          | Fully supported  |
| <b>Special shapes</b>   | Yes  |
| <b>Water drainage</b>   | No   |
| <b>Usage area</b>       | Public shower areas<br>Barrier-free shower areas<br>Footbaths  |
| <b>Dimensions</b>       | Produced to fit width and depth perfectly without the need for alignment profiles  |
| <b>Properties</b>       | Aesthetically pleasing<br>Good water drainage<br>Corrosion-free<br>Excellent non-slip properties   |

## **Model 771**

| <b>Service and services</b> |
|-----------------------------|
| Dimensioning                |
| Installation service        |
| Repairs                     |

Subject to technical modifications

emco Bautechnik GmbH · Breslauer Straße 34 - 38 · D-49808 Lingen (Ems) ·  
Phone: +49 (0) 591/9140-500 · Fax: +49 (0) 591/9140-852 · Email: [bau@emco.de](mailto:bau@emco.de)  
· [www.emco-bau.com](http://www.emco-bau.com)

