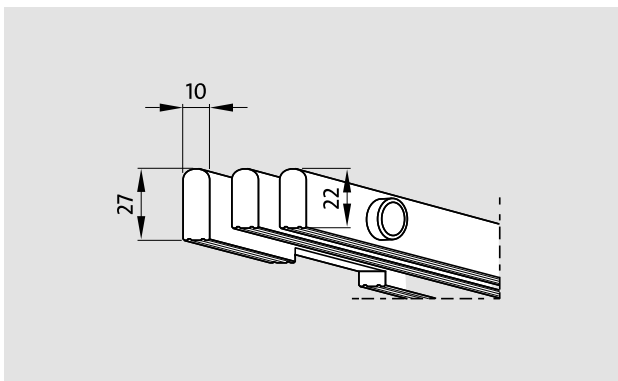
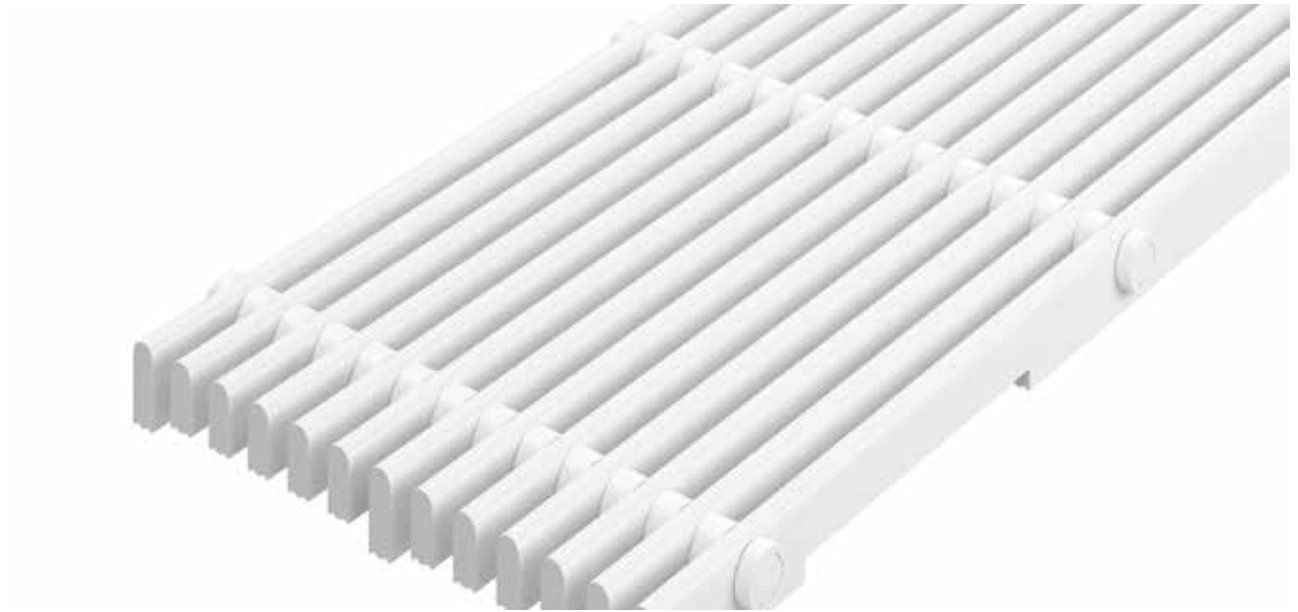


Model 724/27S



Description

Rigid cover grating for barrier-free shower areas with bars running parallel to the channel

Colours



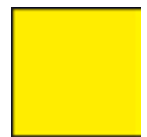
White - similar to RAL 9010



Grey - similar to RAL 7001



Beige - similar to RAL 1001



Yellow - similar to RAL 1018

Model 724/27S

Material	<p>High quality, extremely hard-wearing plastic, with UV absorber.</p> <p>Entirely corrosion-free and resistant to chlorine, sea water and spa water.</p> <p>No need for any metal parts; surface enclosed on all sides to provide maximum hygiene.</p>
Support chassis	<p>Full profile</p> <p>(27 x 10 mm) with notch on the bottom</p> <p>Combined with 22 x 10 mm grating bars (to improve water drainage)</p>
Finish	<p>Round upper profile surface with safety profile seal (SPS).</p>
Profile spacing:	<p>< 8 mm in accordance with DIN EN 13451-1 and DIN EN 16582-1 (to prevent areas where fingers could become trapped)</p>
Height (mm)	<p>27</p>
Connection	<p>Fibre-glass reinforced polyester pipes as connection elements</p>
Slip resistance	<p>Non-slip in accordance with DIN 51097, classification C - tested by the „Institut der Säurefließner-Vereinigung“ (Säurefließner consortium)</p>
Variable grating width (mm)	<p>100-350</p>
Special shapes	<p>On demand</p>
Water drainage	<p>Yes</p>
Usage area	<p>Public shower areas</p> <p>Barrier-free shower areas</p>
Dimensions	<p>Produced to fit width and depth perfectly without the need for alignment profiles</p>
Properties	<p>Completely hygienic</p> <p>Excellent value for money</p> <p>Excellent non-slip properties</p> <p>Corrosion-free</p> <p>Easy to clean</p>

Model 724/27S

Service and services
Dimensioning
Installation service
Repairs

Subject to technical modifications

emco Bautechnik GmbH · Breslauer Straße 34 - 38 · D-49808 Lingen (Ems) ·
Phone: +49 (0) 591/9140-500 · Fax: +49 (0) 591/9140-852 · Email: bau@emco.de
· www.emco-bau.com

