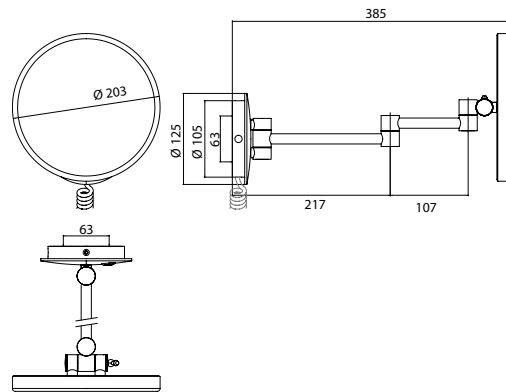


## LED-Shaving and cosmetic mirror chrome



### Art.No.1094 060 13

with illuminated touch sensor (On/Off, Colour change) and helix cable, two arms, round, Ø 203 mm, 3 magnifying glass, energy efficiency grade: A-A++