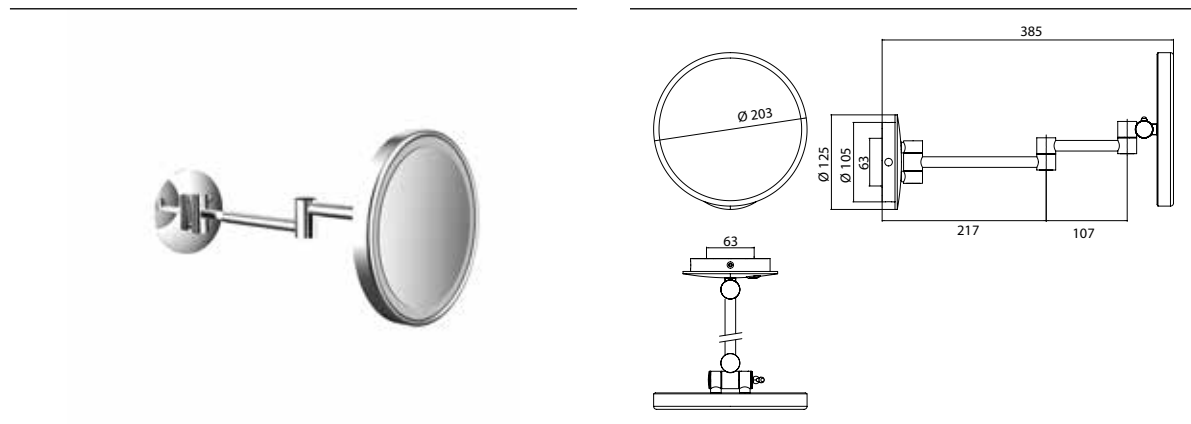


LED-Shaving and cosmetic mirror chrome



Art.No.1094 060 12

with illuminated touch sensor (On/Off, Colour change) and direct connection, two arms, round, \varnothing 203 mm, 3 magnifying glass, energy efficiency grade: A-A++