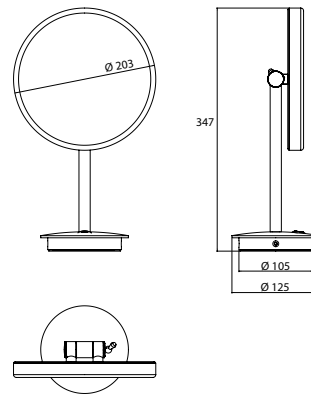


LED-Shaving and cosmetic mirror, standing type chrome



Art.No.1094 060 09

with illuminated touch sensor (On/Off, Colour change) and helix cable, one arm, round, \varnothing 203 mm, 3 magnifying glass, energy efficiency grade: A-A++