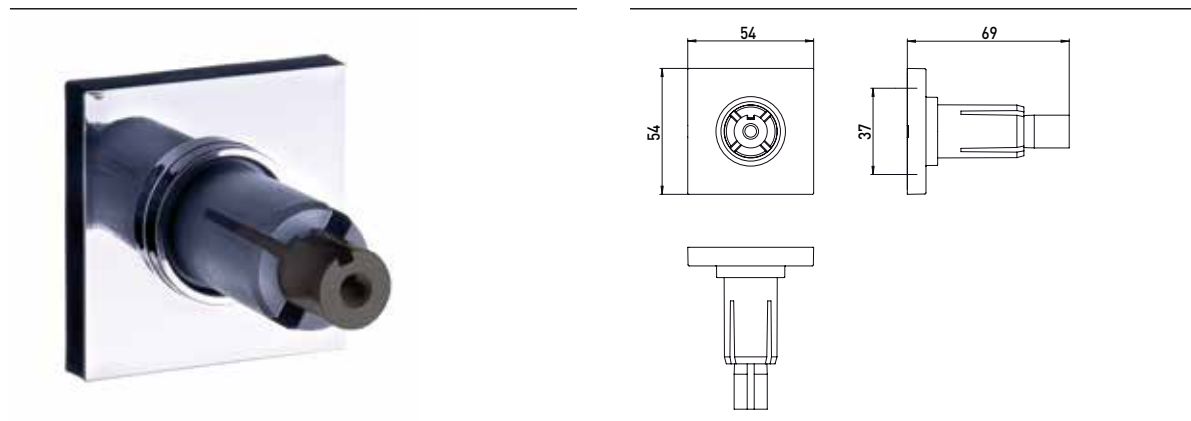


Fastening-Set (consisting of 2 wall holders) 53 x 53 mm, for shower curtain rail chrome



Art.No.3587 001 00