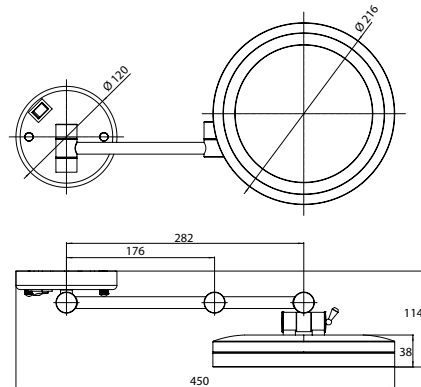


## LED-Shaving and cosmetic mirror chrome



Art.No.1095 001 18

with direct connection, two arms, round,  $\varnothing$  216 mm, 3 magnifying glass, energy efficiency grade:  
A-A++