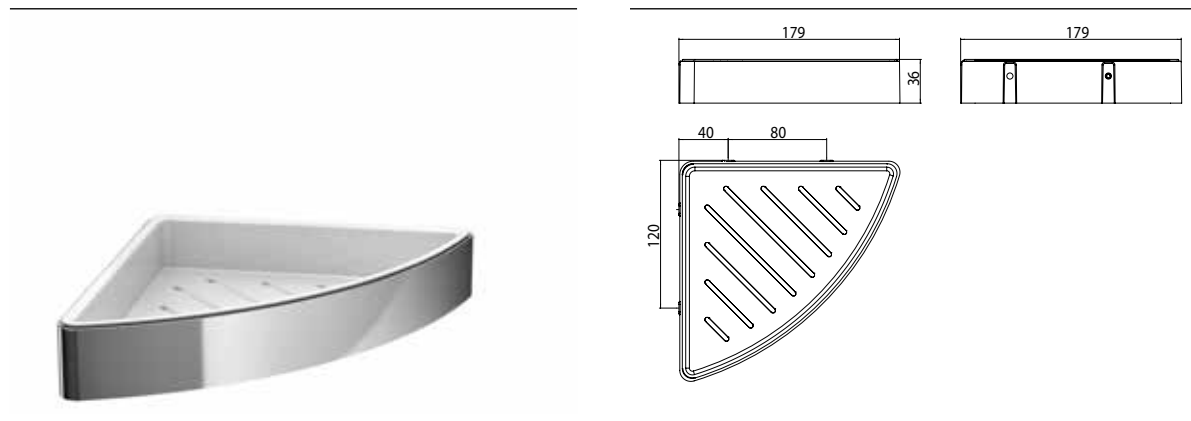


Corner sponge dish, hidden wall fastening chrome



Art.No.0545 001 03

with detachable synthetic insert